

Dental unit **Coral**
simple and reliable



Dental unit **Coral** *premium*

The **Coral** model is a **dental unit** widely used in dental surgeries in domestic and international markets alike thanks to its formal and functional features. Designed to adapt to small practices, its user-friendliness, versatility and reliability are the basis of its acceptance by users and patients.

Its design has resulted in a unit adapted to right and left handed dentists, without compromising ergonomics, which enhances hygiene and reliability.

It features safety systems fitted to the down movement of the chair, backrest and to the assistant's tray.

The rounded shapes and the spaces between the moving parts guarantee the absence of safety issues.

The novelty of this model consists in new configurations for its PREMIUM, LUX and ECO ranges, which together with the ORTHODONTICS version, caters for a broad spectrum of users based on their needs.

The Coral dental unit is configurable in each of its three versions in three alternative ways: whip arm/continental system, hanging system and a system with a mobile unit.



Dental unit *Coral* *premium*

The **Coral Premium dental unit** incorporates, in its basic configuration, an independent control panel for the dental unit and to control the micromotor and ultrasonic scaler, LED lights on all the instruments, endo induction micromotor, ultrasonic scaler with LED light and a LED type illuminator lamp.

All the parameters of the micromotor and ultrasonic scaler are integrated into the control panel, facilitating its use and customising all its functions (speed, torque, light, etc.).

Optionally, the entire Coral dental unit range can be manufactured with two types of backrest: the standard model that is supplied with the unit and a model with a more pronounced groove.



Height adjustable and double articulation headrest. Its ergonomics allow patients to place their heads in the ideal position for the doctor to work.



All dental unit functions are controlled in a user-friendly and intuitive way through the **control panel**. Equally, the parameters of the micromotor (speed, torque, light, direction of rotation, etc.) are also displayed and controlled, as well as those of the ultrasonic scaler (functions: general, endo and perio).

Dental unit **Coral** *lux*

The **Coral Lux** model, with the same formal and functional features as the PREMIUM range, provides the most standard configuration.

As in the rest of the Coral range, the unit's safety systems ensure incident-free use. Safety system applied to the chair lowering function, to the backrest and to the assistant's work station.

Its user-friendliness, versatility and the reliability of the equipment allow for easy and affordable maintenance.

The Coral Lux model incorporates multi-purpose hoses with lights, an electric brushless or induction micromotor with light and an ultrasonic scaler.

The Coral dental unit, in its various ranges, Premium, Lux, Eco and Orthodontics, greatly facilitates the work of the doctor and of the assistant thanks to the work spaces provided in its design.

The anatomical shape of the chair, in addition to maintaining the patient in the ideal position, reduces the fatigue of both the patient and the dentist.

The water supply system includes a removable tempered glass bowl for better cleaning and hygiene. The colour can be combined with the colour of the upholstery.



The lockable whip arms prevent stress when handling the instruments. Reduced height of the whip arm to avoid contact with other nearby elements. Long hoses.



The instrument tray, both in the whip arm/continental system and in the hanging hose system, is mounted on a compensated gas-piston powered arm that offers a wide range of movements, allowing stress-free work in the best position for the doctor. It includes an articulated instruments tray.

Dental unit **Coral** *lux*



The **mobile unit**, which consists of an instrument tray with a hanging hoses system and an independent control panel to control all the unit's functions, features a complete pneumatic/electric set of instruments and a top instrument tray.

It is mounted on wheels that provide easy and lightweight handling as well as a wide range of movements to place the unit in any working position required by the operator.



The **assistant's unit** includes a **tray** with four holders on a double-articulated arm that allows the assistant to place the unit in a wide range of positions.



The Coral dental unit, in its various ranges, features an **instrument tray** that integrates the control panel, facilitating the optimal use of the unit's functions.

Dental unit **Coral** *eco*

The **Coral Eco** model, which has the same formal and functional specifications as the entire range, is slightly less equipped and represents the basic configuration of the model. When simplicity is enough.

The **Eco** version is a pneumatic unit with the cuspidor and tray attached to the structure of the chair. The assistant's position features a simple tray with two holders (four can be provided on request) and the main tray includes pneumatic instruments with an ultrasonic scaler. It includes a foot pedal to control the speed of the instruments and a water selector and chip blower (optionally, you can incorporate a multifunction foot pedal).

Available with a whip arm/continental type instrument tray, with hanging hoses and a mobile unit.



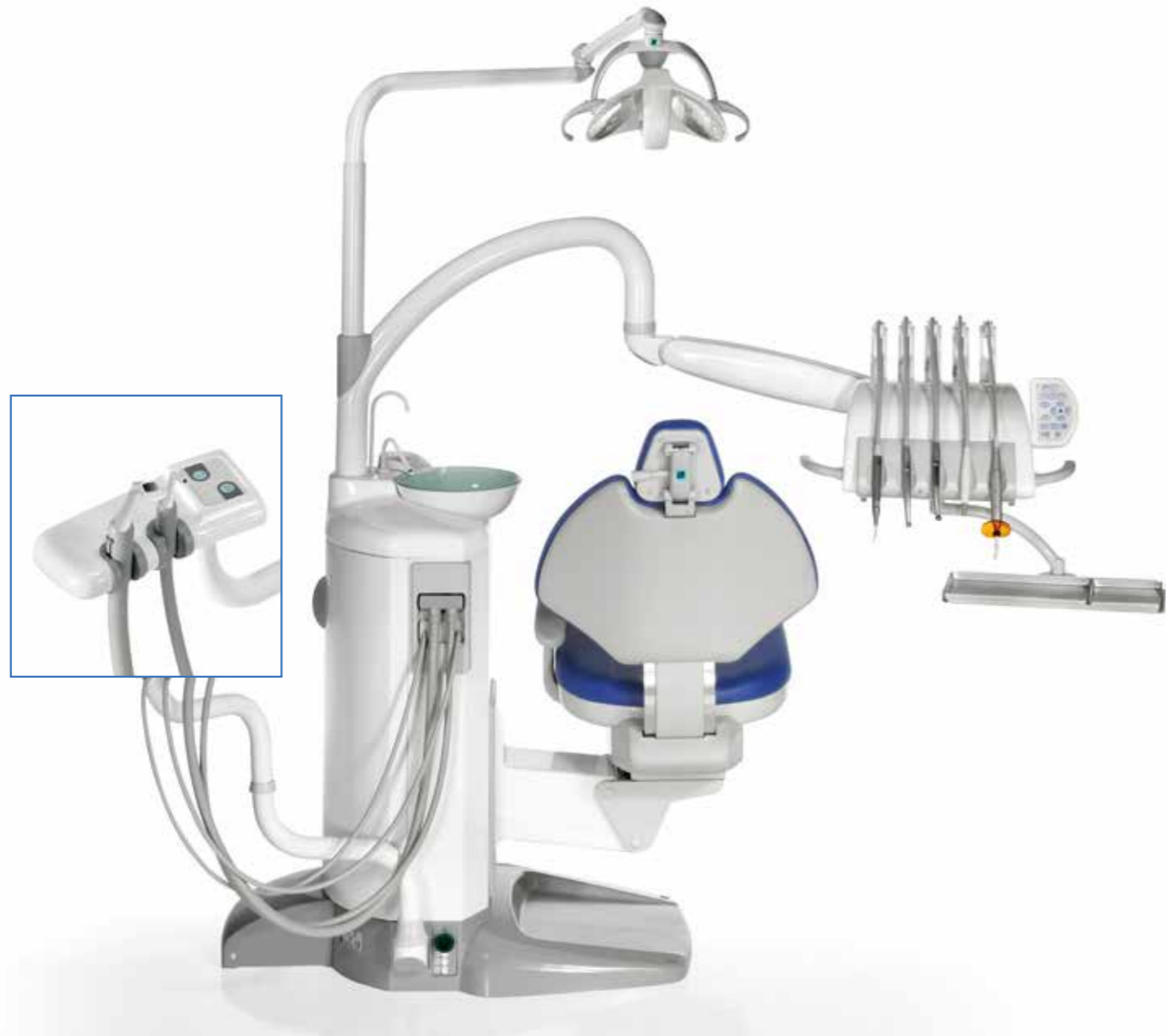
Dental unit installed for right-handed users.



Dental unit installed for left-handed users.

The design of the **Coral dental unit's chair and backrest** allows doctors to work with direct or indirect vision, and its equipment is fully adapted to the needs of **right and left handed users**.

Dental unit **Coral** *eco*



The **whip arm** version features long, lockable hoses for stress-free handling of the instruments, thus facilitating their adaptation to the doctor's working system. It comes with a control panel and articulated instrument tray.

Dental unit **Coral** *orthodontics*



The **Coral dental unit** also offers a special configuration for **orthodontic** treatments.

All the instruments required for these purposes can be found in the assistant's work position. The water and air syringe, rotary instruments and the suction hoses are fitted to a tray with four holders.

This version also features an instrument tray that is fitted on a double-articulated arm that provides a wide range of movements. The unit features a multi-function foot pedal to control the speed of the instruments, as well as the independent movement of the chair.

Available in two versions of articulated arms.



Dental unit Coral

Upholstery

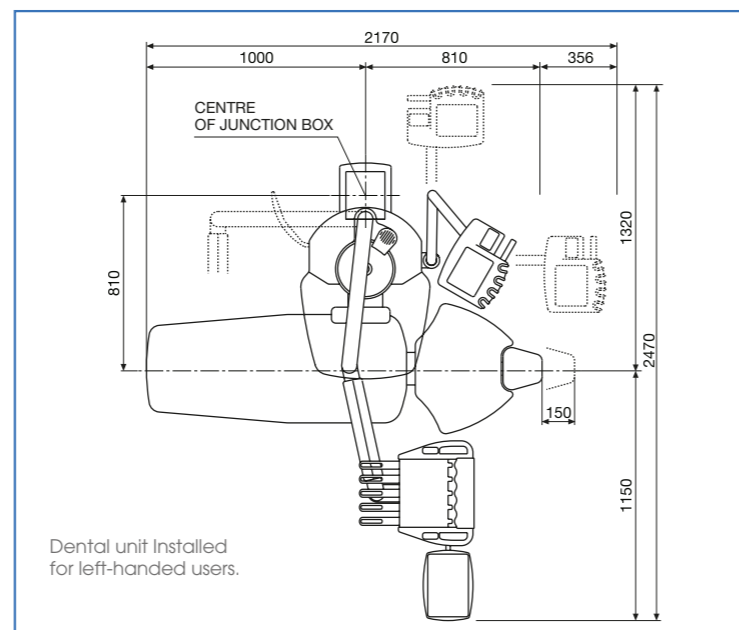
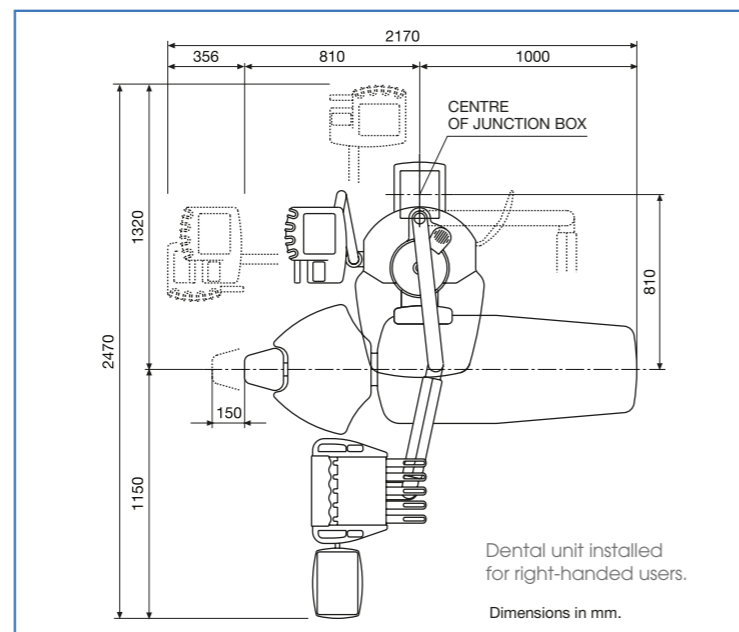
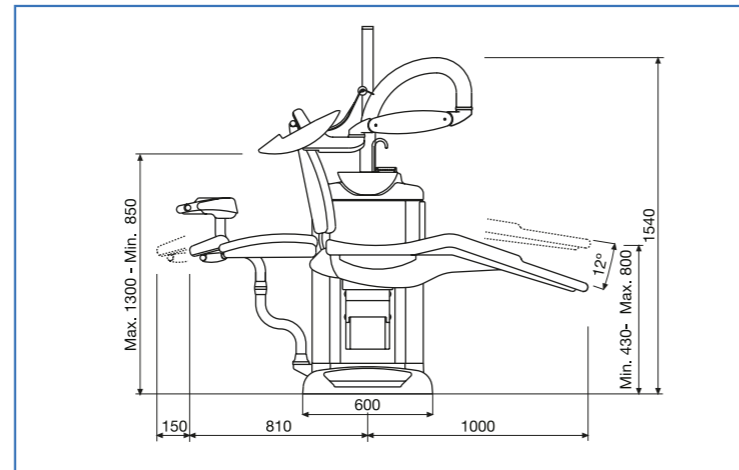
FEDESA provides upholstery on all its dental units that add to the design of its equipment, improving their convenience and comfort.

Low maintenance flame retardant upholstery without seams, washable and excellent resistance to use.

The extensive catalogue of upholstery colours also comes with viscoelastic upholstery (memory foam).

Textile colour finishes that combine with the dental unit

We have selected a wide range of colours for standard use to integrate with modern facilities.



The measurements indicated on the drawing will help you place your equipment in your surgery.

Options



Illumination lamp

All FEDESA dental units include lighting equipment that can be changed as an option.

EDI Lamp (25,000 lux halogen lamp). MAIA Lamp (35,000 lux LED lamp). ALYA Lamp (50,000 lux LED lamp).



Monitor

Slim, lightweight, with a 17" screen and adaptable to the various positions required for use by the doctor and patient.



Intraoral camera

High-resolution camera that can be added to the main tray and to the auxiliary tray. Small and very light, touch activation and detachable.



Control pedals

There are two types: pneumatic pedals with instrument rpm control, water and chip blower selector, and a multifunction pedal for instrument control and to adjust the chair.



Footrest

All seats on FEDESA units can be supplied with footrests, either with transparent plastic protections or independent polyurethane footrests.

Mobile units



Mobile units

There are various ranges of mobile units: Premium, Lux and Eco. The Premium range features an induction micromotor integrated into the control panel. The Lux range has an electric brush micromotor and the Eco range features pneumatic instrumentation.

The Evolution mobile unit is only available in the Lux and Eco ranges.

Stools



Astral - A Model



Pony Model without backrest



Stools

FEDESA has three types of stools (the Astral, Pony and Sory models) available with or without backrests and with a footrest ring. Surround lumbar support. They are manufactured in stainless steel and feature a five-wheel base, as well as gas piston height adjustment.

A wide range of colours and textures in the upholstery catalogue.



Manufacturing dental units since 1970

From the origins of FEDESA back in the 1970s and right up to the present day, we have dedicated our efforts to meet the needs of dentists.

We are experts in designing, manufacturing, and marketing dental units. Our extensive catalogue of solutions caters for all the needs of today's dentists.

Our products meet all national and international regulations and certifications that ensure the quality of all our products. A wide network of agents approved by our brand for the domestic market, as in the rest of the world, collaborate with us to offer the best customer service.



NUEVA FEDESA, S.A.

Avda. Madrid, nº 45. 28500 Arganda del Rey
(Madrid) España
Tel.: 34 - 91 871 23 83. Fax: 34 - 91 871 64 88
fedesa@fedesa.com - www.fedesa.com

FEDESA reserves the right to make any changes for the benefit
of the product
CT9A35-11. (1000 EJ. 28-02-017)
Design: De Ledesma
Printing: Gráficas Aries
Legal Deposit: M-6768-2017