



2392-01

Ocea

SHOWER TROLLEY • HYDRAULIC VARIABLE HEIGHT



Accessibility • Comfort • Safety



Version : 03-2022



COMFORT

- > Hydraulic variable height
- > Removable headrest
- > 4 castors \varnothing 150mm 3 with brakes and 1 directional



ACCESSIBILITY

- > Hydraulic variable height from 65 to 102cm
- > Bilateral control
- > Folding side rails under the tray to facilitate patient transfer from bed to trolley



SAFETY

- > 200kg patient weight capacity
- > Polyester padded tub with reinforced PVC covering
- > Side rails are entirely made of stainless steel
- > Structure with anti-corrosion
- > Stainless steel welded pushbars
- > 4 shock absorbers



HYGIENE

- > Entirely welded tub
- > Wide weldings to facilitate cleaning
- > Welded drain
- > Evacuation hose \varnothing 50 mm with retaining ring
- > Smooth evacuation hose to avoid germs retention and unpleasant odours
- > Hose retaining ring to avoid water leakage during transfer

Variable height



65 / 102 cm

Capacity



200 kg



2392-01

Cataphoresis:
anticorrosive
treatment

Products shown with option



LOW POSITION



TRANSFER



HIGH POSITION



REVERSE TRENDLENBURG
(Model 2392-01)

STANDARD FEATURES

Hydraulic variable height from 65 to 102cm

Bilateral control

Steel base and elevation structure with anti-corrosion treatment

Grey epoxy polyester finish

ABS tray

Polyester padded tub with reinforced PVC covering

Evacuation hose with stopper (ø int. 50mm, ø ext. 60mm) and retaining ring

Removable headrest

4 castors ø 150mm, 3 with brakes and 1 directional

Folding stainless steel side rails

Stainless steel welded pushbars

4 shock absorbers

200kg patient weight capacity

2390-01

Fixed top (3° incline)

2392-01

Gas-spring assisted top (from 0° to 5° incline)



Evacuation hose Ø int. 50 with stopper



Hose retaining ring



 **OPTION***

* Plant installed, must be ordered with initial order

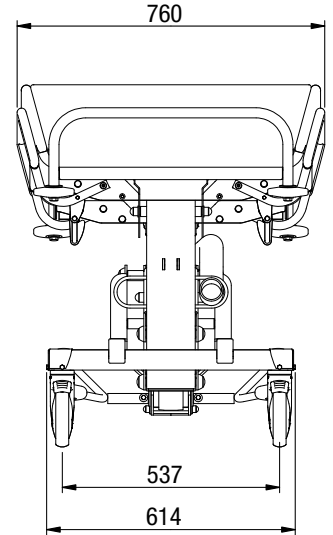
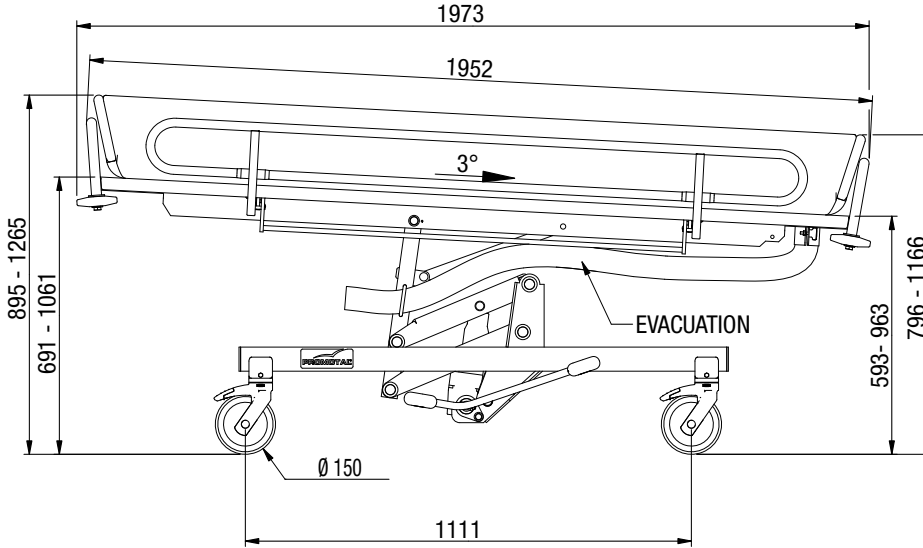


23127-01

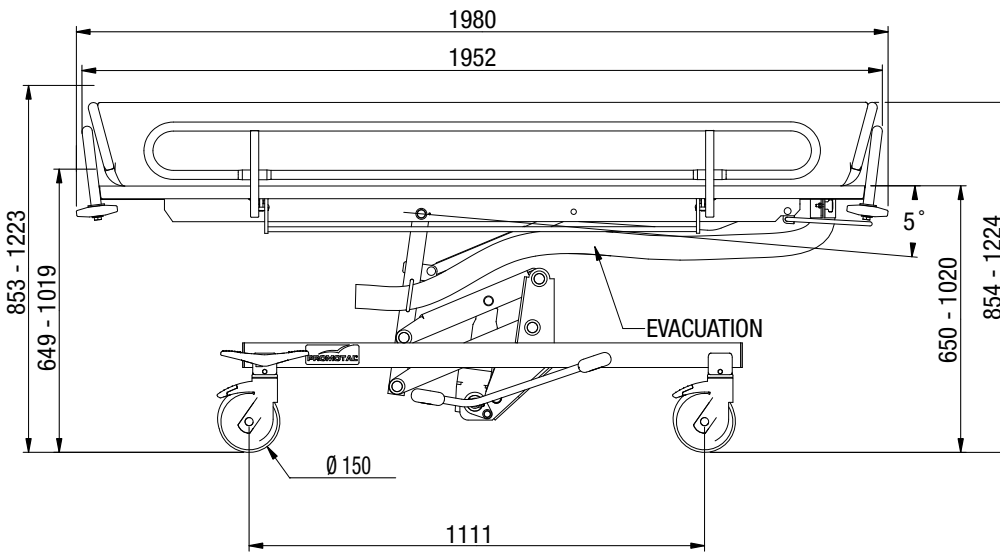
4 castors ø 150mm with centralized brakes

NET WEIGHT : 108 KG
 GROSS WEIGHT : 143 KG
 PACKAGE VOLUME : 1.65 M³

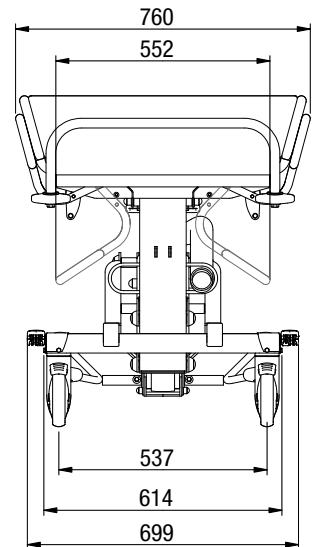
2390-01



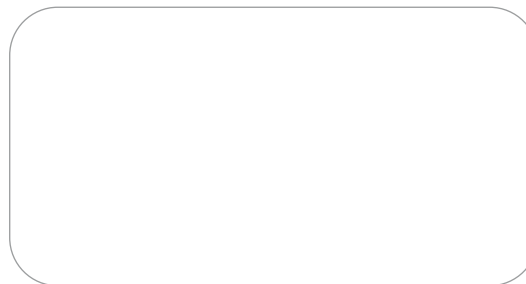
2392-01



2390-01 & 2392-01



FE-13/22



PROMOTAL.NZ
 PROMOTAL.COM.AU