



PUMA ELI R  
UNMISTAKEABLE DESIGN  
AND AUTHENTIC VERSATILITY

PUMA ELI R  
UNMISTAKEABLE DESIGN  
AND AUTHENTIC VERSATILITY



**BU Medical Equipment**  
**Sede Legale Ed Amministrativa**  
**Headquarters**  
CEFLA s.c. - Via Selice Provinciale, 23/a  
40026 Imola (BO) - Italy  
Tel. +39 0542 653111  
Fax +39 0542 653344

**Stabilimento**  
**Plant**  
CEFLA s.c. - Via Bilocca, 14/C  
40026 Imola (BO) - Italy  
Tel. +39 0542 653441  
Fax +39 0542 653601

Due to our policy of constant technological upgrading, the technical specifications may be subject to change without prior notice.  
According to the relevant regulations, in the extra-EU areas some products and/or characteristics might have different availability and specifications. Please contact your local supplier.



# ESSENTIAL STYLE

The essential nature of Puma ELI R lets dentists perform their everyday work with calm and ease. Extremely manageable, compact and packed with ergonomic features to smooth the treatment process, Puma ELI R is also the right solution for those seeking intrinsic reliability and quality.  
**Streamlined essentiality.**



# BALANCED DESIGN

Fluid movements and outstanding ergonomics to meet the needs of dentists who work with hanging tubes. The CP model is compact and features a dentist's module that can be positioned anywhere around the patient to make treatment easier whatever the clinical circumstances.

**The pleasure of balance.**



# PRACTICAL VERSATILITY



Maximum operating freedom in the surgery demands a flexible solution that lets dentists work comfortably in any situation. With the Cart or Single Cart model, the dentist is free to select the most comfortable position and enjoy the absolute practicality of an independent solution.

**The benefit of versatility.**



Single Cart

# TAILOR-MADE FOR ORTHODONTISTS

Designed for orthodontists, Puma ELI R ORTHO benefits from a design that meets the dentist's specific needs during orthodontic treatment. The optional tray holder can reach the operating area with ease thanks to the mobility and extension of the arms. The assistant's side is ready for 1 or 2 dynamic instruments, controlled via a convenient display. **Set up for orthodontics.**



Module with dynamic instruments.

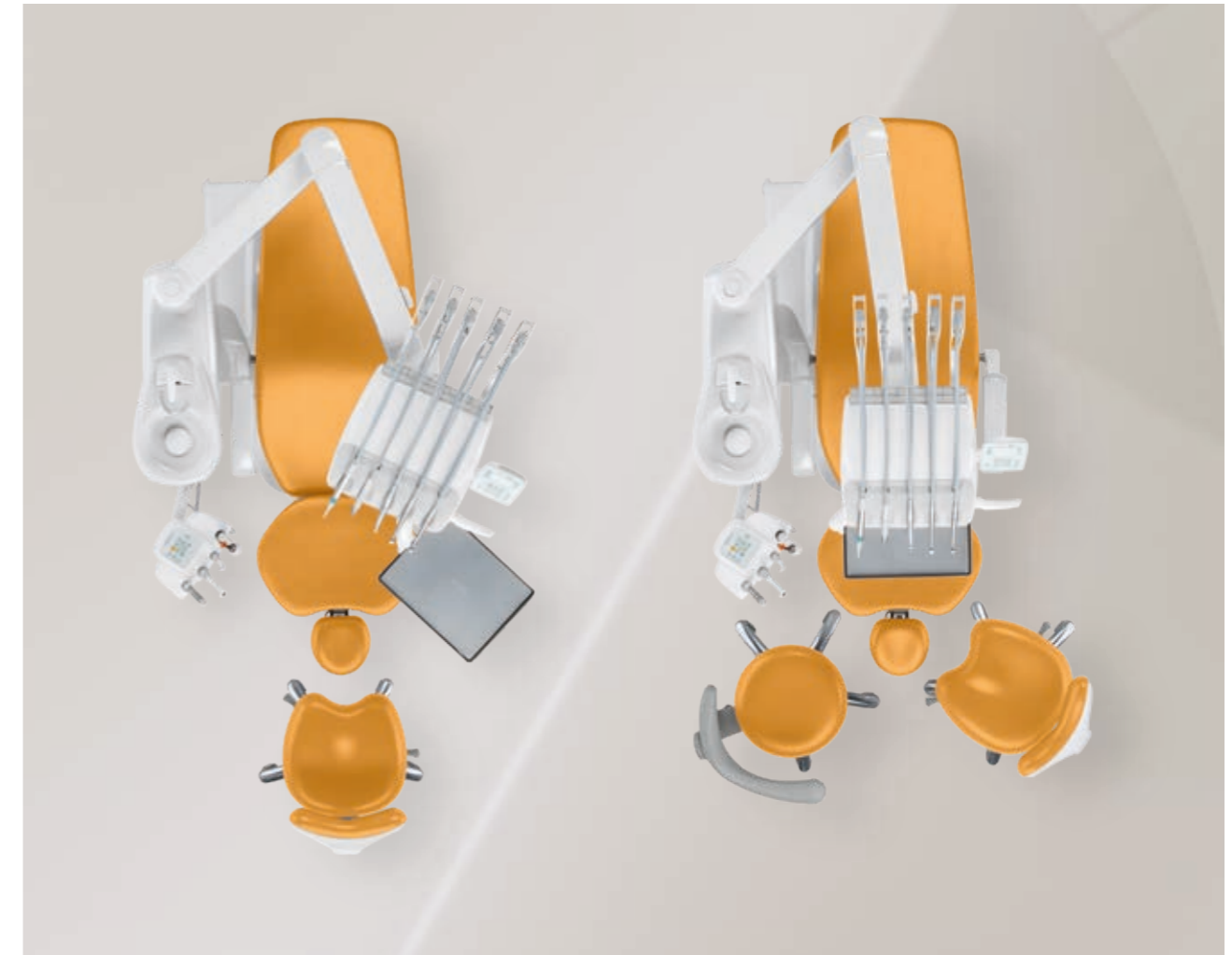


Large tray holder



# COMPACT DESIGN SUITABLE FOR ANY SURGERY

Extremely compact, Puma ELI R is also suitable for surgeries requiring equipment that is as small as possible. Perfect also for narrow surgeries, the dental unit has been designed to ensure excellent mobility of the various elements. This means the dentist always works with the instrument module in the position best suited for the treatment in progress.



## DENTIST'S MODULE

Light and manageable, the dentist's module for over the patient delivery instruments can be positioned effortlessly, accompanying the dentist's every move.

Pressing the on-handle button (optional) lets the dentist quickly adjust the height of the instruments to work in complete comfort.



## TRAY HOLDER

The stainless-steel tray holder table can rotate to be placed within easy reach of medical staff. It can be easily removed from the swivel support for sanitisation purposes. A compact tray of minimum size and bulk is available as an alternative.



## BALANCED INSTRUMENTS

The instruments are self-balanced to avoid any traction on the dentist's wrist, while the tubes feature increased extension capacity to minimise unnecessary movements in the operating field. Moreover, instrument lever length is limited to avoid any interference with the operating light. Optional end-of-stroke lever lock system available.



## SIXTH INSTRUMENT

To the side of the module the dentist can add the intraoral camera or curing light.

# SMOOTHER WORKFLOW THROUGH IMPROVED MOBILITY

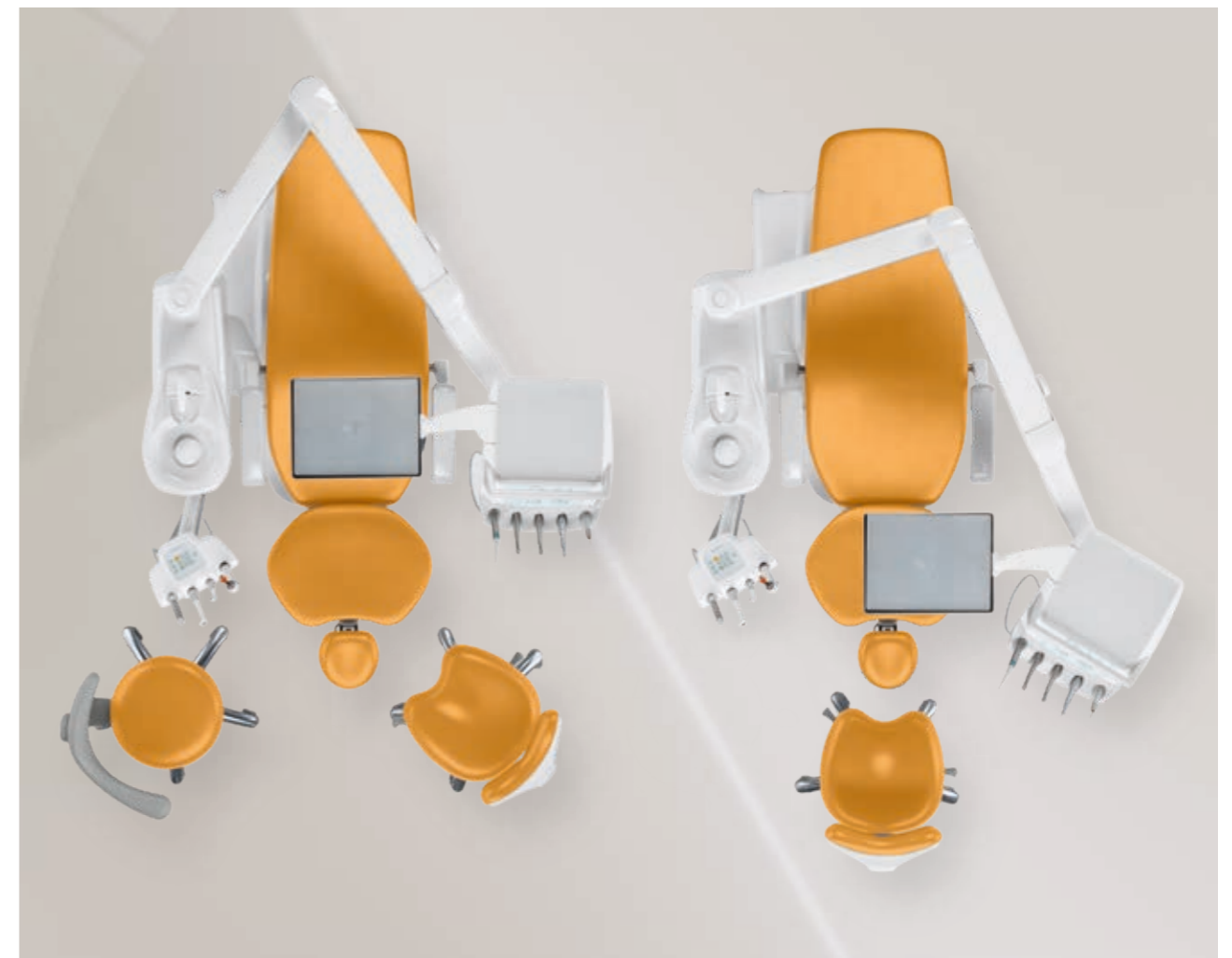
The CP model with dentist's module for hanging tube instruments can reach any working position with ease thanks to the extremely agile arm system. The dentist can also work in indirect vision mode, with or without an assistant.



## **DENTIST'S MODULE**

The layout has specifically been designed to facilitate pick-up; for example, instruments are placed in holders with tilt angles that vary from the central holders to the outer ones.

Designed to facilitate instrument re-positioning, the holder always ensures maximum stability. Featuring a wraparound shape and ergonomic design, the handpiece holder smooths the dentist's workflow.



## **TRANSTHORACIC TRAY HOLDER**

The transthoracic tray holder features a wide supporting surface that does not interfere with the patient. It can be positioned and moved horizontally.



## **SIXTH INSTRUMENT**

The sixth instrument can be integrated on the side of the module. The dentist can choose between the intraoral camera and the curing light.

# AN ADVANCED, CUSTOMISED ASSISTANT'S SIDE

With Puma ELI R, Castellini makes the most of the assistant's role and provides an array of solutions to suit every preference. The module arm may be of the single or double-articulated type to place it nearer the patient or the dental unit body.



## **ASSISTANT'S MODULE**

The assistant can manage a wide range of functions via the on-module control panel. This lets dentists focus their attention on actual treatment. In addition to patient chair movement controls, there are also controls for the lighting, cuspidor bowl and Autosteril system.

The assistant's module can be equipped with an optional stainless steel tray holder.



## **POSITION-ADJUSTABLE CUSPIDOR BOWL**

Cup filling is completely automated via an optical sensor, giving the patient greater autonomy. Made of ceramic, the cuspidor bowl is position-adjustable to provide maximum rinsing comfort.



## **ASSISTANT'S MODULE**

The assistant's module can be adapted to clinical situations in which treatment is performed by dentists working alone or with an assistant. It is available with 4 or 5 holders. In addition to syringe and suction cannulae, it is also possible to add a camera and a curing light or a dynamic instrument. The position-adjustable tray holder is available as an option.



# INSTRUMENTS UNDER CONTROL

To optimise chair-side workflows it's important to be able to rely not just on perfectly integrated instruments but also on direct control via a user-friendly instrument control panel. Being able to monitor and set operating parameters via the touchscreen also makes treatment flows more efficient.



## TOUCHSCREEN CONTROL PANEL

Puma ELI R is equipped with a new instrument control panel with touchscreen display and integrated X-ray viewer. An alphanumeric display allows for smooth conservative dentistry function management, providing essential data and allowing operating parameters to be set directly.

The "clean" button temporarily disables the touchscreen to allow sanitisation.



## PIEZOLIGHT 6

Available with or without fibre optic for LED lighting, the versatile and multifunctional ultrasound handpieces are suitable for prophylaxis, endodontics and periodontal procedures.

- Extensive power adjustment range.
- Power self-adjustment according to workload.
- Coolant delivery adjustable from zero to max flow rate.
- Completely autoclavable.



## HANDY POWER MICROMOTOR

Handy Power is an extremely lightweight, compact brushless micromotor, available with or without LED lighting. Handy Power offers silent running and is vibration-free. Requires only minimal maintenance thanks to the exceptional reliability of brushless technology. Suitable for conservative and prosthetic dentistry.

- Speed from 100 up to 40,000 rpm with 1:1 ratio
- Maximum torque up to 3.3 Ncm
- Possibility of pre-setting maximum speed



## T-LED

The curing light can be used as a direct version or 120° angled version. With a high-power LED up to a maximum of 2,200mW/cm<sup>2</sup> and a 430 to 490nm emission band, the T-LED lamp offers 6 pre-set programmes and a sterilisable optical guide.

## SYRINGE

Featuring a streamlined and easy-to-handle design, the syringe is available both in the three-way and in the optional six-way version. The handle and tip are autoclavable.

## SILENT POWER TURBINE AND GOLDSPEED CONTRA-ANGLES

Castellini offers a complete set of turbines and contra-angles suitable for all fields of dentistry.

# COMFORT ABOVE ALL ELSE

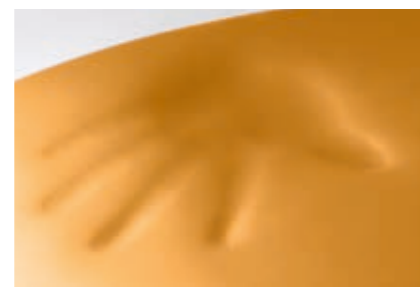
Successful treatment depends on ensuring comfort for patient and medical staff alike. If a patient feels at ease, he/she will always be more collaborative. That's why Castellini has perfected working ergonomics by designing a patient chair that ensures operating convenience for the dentist and comfort for the patient.



## THE CENTRE OF WELL-BEING

The comfort concept starts with the patient chair, which features a silent motor rated to lift patients weighing up to 190 kg. Sturdy yet slimline and with just the right compensation between backrest and seat movements, the patient chair accompanies the patient gently, minimising the compression effect in the lumbar area. With extremely fluid starts and stops, chair movements remain reassuring at all times.

Available as an optional feature, surgical padding will suit patients of any build, ensuring proper anatomical support and maximum comfort at all times.



## PNEUMATIC HEADREST

Available as an optional, the exclusive pneumatic release orbital headrest pivots on three axes and allows for quick, precise assisted positioning. The button on the lower side of the headrest activates the movement.



## STANDARD HEADREST

The easy-to-adjust headrest can be adapted to patients of different heights.



## SUCTION STOP

Comfortably within reach of both dentist and assistant: when pressed, the patient chair base acts as a suction-disabling pushbutton.



## FOOTRESTS

Available as an optional, the extension-adjustable footrest allows for easy, thorough disinfection.



## LATERAL SLIDE FOOT CONTROL

This device lets dentists control Chip Air and Chip Water functions on the instrument in use, invert micromotor rotation (when extracted), control patient chair movement and switch on the operating light. Cabled and wireless versions available.



## PRESSURE-OPERATED FOOT CONTROL

For those who prefer a pressure-operated version, this foot control provides the same functions as the lateral slide foot control. Both devices also provide, in surgery mode, peristaltic pump activation and programme changeover controls. Cabled and wireless versions available.



## POWER PEDAL FOOT CONTROL

The third foot control includes all the functions of the previous models and is characterised by two additional elements to recall two more saved working positions. Cabled and wireless versions available.

# THE RIGHT LIGHTING MAKES ALL THE DIFFERENCE

Proper illumination of the operating area is essential. Castellini offers dentists a wide selection of Venus series lamps with a broad performance range. Easily adjustable and ergonomic, these lights let dentists select the lighting level best suited to clinical needs; they also feature removable handles and front panels to make cleaning easier. In addition to the standard Venus E LED lamp, three other models can be fitted as optional equipment items.



## VENUS E LED LAMP

Supplied as standard with 3-axis movement, front panel, removable handles and six LED sources to minimize shadows. Light intensity can also be set, via the sensor, within the 7,000 - 40,000 Lux range.

The No Touch sensor lets the user switch the lamp on/off without touching any button.



## VENUS LED MCT LAMP

Featuring exceptional brightness, this lamp makes it possible to set specific temperature values according to clinical requirements: warm, neutral or cool light. The No Touch sensor can switch the lamp on/off and adjust light intensity up to 50,000 Lux. The hermetically sealed front screen is easy to clean, and the handles can be removed and sterilised in an autoclave.

In composite mode the light wavelength is modified to prevent pre-curing of the composite materials, simultaneously ensuring optimal lighting of the operating area.



## VENUS PLUS LAMP

High performing operating light with rotation movement on three axes for accurate light adjustment to the oral cavity. Adjustable light intensity from 8,000 to 35,000 Lux. Colour temperature 4,900 K, rear fan, removable, removable handles suitable for cold-disinfection.



## VENUS LED LAMP

This LED operating light rotates on three axes, is equipped with the No Touch sensor to switch it on and adjust light intensity and features an easy-to-clean hermetically-sealed front screen. Max. 50,000 Lux, colour temperature 5,000 K, autoclavable handles.

# ADVANCED SYSTEMS FOR ENHANCED SAFETY

Castellini has always been attentive to the issue of hygiene, reaffirming its commitment through close cooperation with the Department for Public Health and Infectious Diseases of the Sapienza University of Rome and the Department for Public Health and Paediatrics of the University of Turin. Thanks to in-depth research and analysis, the dental unit can be configured with upgraded and certified devices that ensure the clinical environment is safe at all times.



## **AUTOSTERIL**

Puma ELI R can be equipped with Autosteril, the high-standard automatic disinfection system for all the spray water circuits.

Used together with Peroxy Ag+, the Autosteril system ensures a mycobactericide, bactericide and anti-Legionella action, certified by the Sapienza University of Rome. The analysis demonstrated that the disinfection provided is sufficient to "eradicate all tested microbes from the piping of the dental unit, even with higher contamination levels."

Autosteril helps sanitisation at the end of a day's session and allows short cycles to be performed with the following steps:

- circuit draining with compressed air;
- addition of 3% H<sub>2</sub>O<sub>2</sub> to the spray water circuits;
- a liquid 'hold time' suitable for intensive disinfection;
- liquid expelled with compressed air;
- [mains or distilled] water flushing

## **M.W.B.**

Reliable and effective, the M.W.B. system, used in conjunction with Peroxy Ag+, acts against all water-borne contaminants, including Legionella. Tests carried out on a dental unit over a 3-month observation period showed that regular use of M.W.B. and daily execution of an intensive disinfection cycle with the Autosteril system, ensure outstanding water hygiene quality, with bacterial loads kept to zero.



## **TIME FLUSHING**

To drain stagnant fluid from the piping after use, the Time Flushing feature carries out a complete water exchange with a timed flow of the supply fluid.



## **S.S.S. BOTTLE**

The stand-alone supply system is equipped with a 1.8 litre capacity pressurised tank, easily accessible from outside to facilitate filling or replacement.



# PREVENTION FIRST AND FOREMOST



## S.H.D.

Flushing and sanitisation of the suction system with water and a special liquid take approximately 2 minutes: ideal as a between-patients cleaning procedure. Option only available where a double filter is present.

Through careful analysis of potential contamination risks in the surgery and around the patient chair, Castellini designs the unit using elements and strategies that ensure constant protection for the patient and medical staff. Surfaces suitable for frequent sanitisation and numerous removable components help keep the workplace healthy and, as far as possible, risk-free.



## CUSPIDOR BOWL

The cup-and-bowl-fill unit can easily be removed and sterilised in an autoclave. Note that the cuspidor bowl handle is removable and autoclavable.



## REMOVABLE, AUTOCLAVABLE HANDLES

It can be easily removed for maximum hygiene.



## REMOVABLE LAMP HANDLES

The Venus E operating light handles can be removed easily for thorough cleaning.



## SUCTION TUBING

The supplied tubing is light and flexible. Alternatively, easy-to-sanitise smooth twin-chamber suction tubing is available.



## DOUBLE FILTER

Optional feature allowing independent cannulae selection; the filters can easily be removed to facilitate draining and cleaning operations.



## SINGLE FILTER

Easily removable to make emptying and cleaning tasks simple.

# INSTANT DIAGNOSIS

Obtaining a quick diagnosis is easier when the image-based communication system is integrated on the patient chair. This lets dentists capture, illustrate and share information with the patient immediately. The multimedia system (optional) consists of a camera with HD sensor, an X-ray sensor integrated on the module and a 22" LED monitor with a 16:9 aspect ratio.



## INTEGRATED VIDEO CAMERA

The camera features a streamlined design to improve use inside the oral cavity; it also has an ergonomic handle. HD-quality images ensure perfect rendering and maximum investigation accuracy. The optical system has a depth of field of 5 - 70 mm. The 16:9 HD sensor adapts perfectly to the LED monitor aspect ratio. The freeze-frame function is activated via the touch-sensitive key.

The easy-to-attach and remove Macro Cap accessory magnifies up to 100x to deliver detailed, extremely sharp images.



## X-RAY SENSOR

The integrated Zen-X sensor, available in two sizes, is housed in the dentist's module, thus speeding up acquisition of intraoral X-ray images. In just a few seconds the reprocessed image is displayed on both monitor and control panel.



## 22" LED MONITOR

A Certified Medical Device (as per EU directive 93/42), the monitor ensures perfect image display and simple interfacing. Thanks to ergonomic design and the special IPS panel it offers a wide viewing angle. It can be integrated into the dental unit with either a single arm or a double-jointed arm for more flexible use.



# A CONNECTED SURGERY



## VIRTUAL ASSISTANT

Di.V.A. (Digital Virtual Assistant) is a virtual assistant that optimises the workflow in advanced dental practices. In addition to being viewable on PC, Di.V.A. can be easily consulted on smartphones and tablets.

Designed to provide connection to the Internet through Easy Check, the Castellini dental unit features a range of optional cutting-edge digital services. To improve efficiency within the surgery, each dental unit can rely on a real-time remote troubleshooting and technical support service.

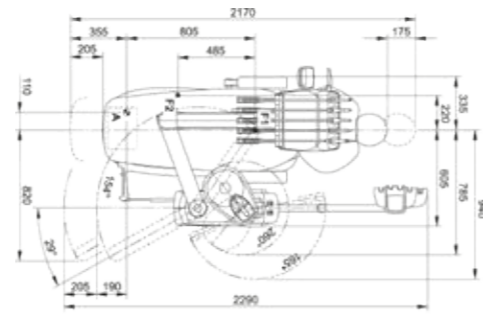
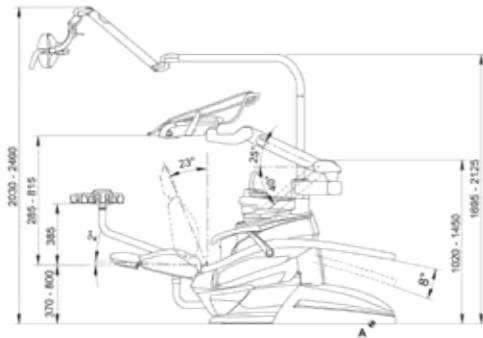


## DASHBOARD

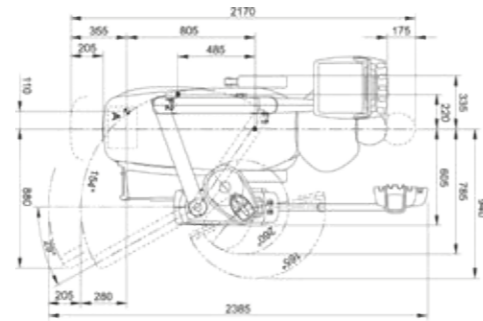
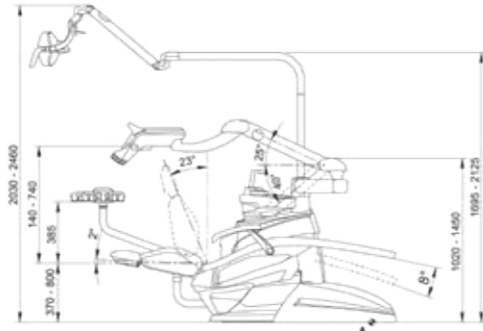
A simple dashboard lets the dentist monitor dental unit activity across all functions and analyse dental practice efficiency. In larger surgeries this is an excellent tool for managing significant workloads and planning maintenance.

# TECHNICAL SPECIFICATIONS

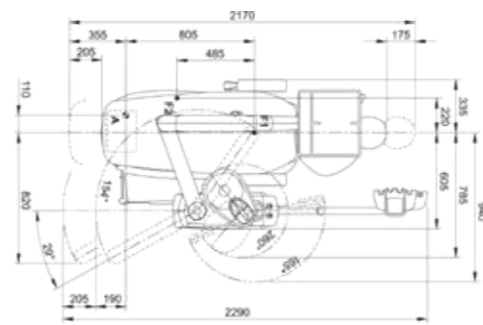
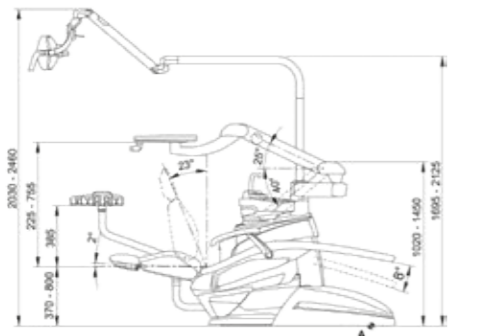
Puma ELI R



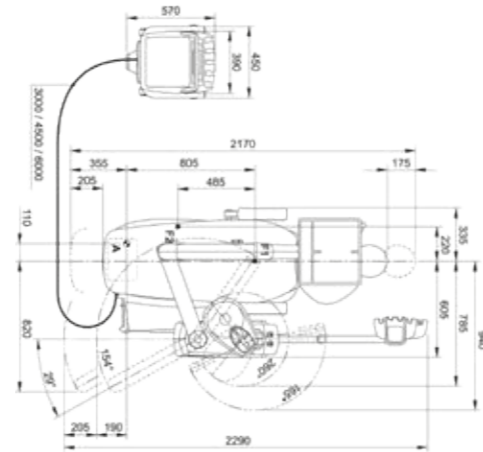
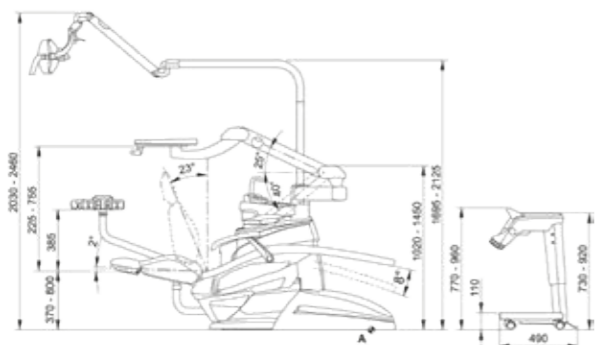
Puma ELI R CP



Puma ELI R ORTHO



Puma ELI R CART



The measures in the drawings are in millimetres.



### COLOUR RANGE

- 102 Atlantic blue
- 113 Pacific blue
- 106 Mediterranean blue
- 136 Indian blue
- 101 Caribbean green
- 123 Polynesian green
- 103 Nevada yellow
- 115 Scottish salmon
- 132 Blueberry violet
- 134 Japanese wisteria
- 135 Venetian red
- 130 Graphite black
- 121 Anthracite grey
- 137 Bright silver

### SURGICAL PADDING

- 198 Atlantic blue
- 183 Pacific blue
- 196 Mediterranean blue
- 186 Indian blue
- 197 Caribbean green
- 193 Polynesian green
- 182 Nevada yellow
- 195 Scottish salmon
- 192 Blueberry violet
- 184 Japanese wisteria
- 194 Venetian red
- 180 Graphite black
- 199 Anthracite grey
- 187 Bright silver



Puma ELI R	Over the patient delivery system	Hanging tubes	ORTHO	CART
<b>HYGIENE SYSTEM</b>				
Separate Supply System	<input type="radio"/>	<input type="radio"/>	<input type="radio"/>	<input type="radio"/>
Autosteril A (Automatic) for disinfection of the water circuit	<input type="radio"/>	<input type="radio"/>	-	<input type="radio"/>
Multi Water Bio controller - MWB. (EN 1717-compliant water infeed unit with continuous disinfection system)	<input type="radio"/>	<input type="radio"/>	<input type="radio"/>	<input type="radio"/>
Timed Flushing (quick water circuit flush cycle)	<input type="radio"/>	<input type="radio"/>	<input type="radio"/>	<input type="radio"/>
Suction Hose Disinfection (suction system wash and disinfection)	<input type="radio"/>	<input type="radio"/>	<input type="radio"/>	<input type="radio"/>
<b>DENTIST'S MODULE</b>				
Turbine KIT complete with Silent Power Evo 2 handpiece	<input checked="" type="radio"/>	<input checked="" type="radio"/>	-	<input checked="" type="radio"/>
Complete turbine kit with Silent Power Evo 4L fibre optics, quick coupling handpiece	<input type="radio"/>	<input type="radio"/>	-	<input type="radio"/>
Complete turbine kit with Silent Power Evo Miniature fibre optics, quick coupling handpiece	<input type="radio"/>	<input type="radio"/>	-	<input type="radio"/>
Handy Power induction Micromotor Kit (100 - 40,000 RPM - 3.3 Ncm)	<input checked="" type="radio"/>	<input checked="" type="radio"/>	-	<input checked="" type="radio"/>
Handy Power LED fibre optics induction Micromotor Kit (100 - 40,000 RPM - 3.3 Ncm)	<input type="radio"/>	<input type="radio"/>	-	<input type="radio"/>
Implanter LED induction Micromotor fibre optics kit (100 - 50,000 rpm - 5.3 Ncm)	<input type="radio"/>	<input type="radio"/>	-	<input type="radio"/>
Piezosteril 6 scaler kit complete with 4 tips	<input type="radio"/>	<input type="radio"/>	-	<input type="radio"/>
Piezolight 6 scaler kit with fibre optics with 4 tips	<input type="radio"/>	<input type="radio"/>	-	<input type="radio"/>
T-LED curing light kit	<input type="radio"/>	<input type="radio"/>	-	<input type="radio"/>
Instrument lever stop kit	<input type="radio"/>	-	-	-
3-way stainless steel syringe kit	<input checked="" type="radio"/>	<input checked="" type="radio"/>	-	<input checked="" type="radio"/>
6-way stainless steel syringe kit	<input type="radio"/>	<input type="radio"/>	-	<input type="radio"/>
6th instrument kit (curing light or camera handpiece)	<input type="radio"/>	<input type="radio"/>	-	<input type="radio"/>
Integrated X-ray sensor	<input type="radio"/>	<input type="radio"/>	-	-
<b>ASSISTANT'S MODULE</b>				
T-LED curing light kit	<input type="radio"/>	<input type="radio"/>	<input type="radio"/>	<input type="radio"/>
3-way stainless steel syringe kit	<input type="radio"/>	<input type="radio"/>	<input type="radio"/>	<input type="radio"/>
6-way stainless steel syringe kit	<input type="radio"/>	<input type="radio"/>	<input type="radio"/>	<input type="radio"/>
Removable and disinfected suction tubes	<input checked="" type="radio"/>	<input checked="" type="radio"/>	<input checked="" type="radio"/>	<input checked="" type="radio"/>
Removable and autoclavable suction cannulae	<input checked="" type="radio"/>	<input checked="" type="radio"/>	<input checked="" type="radio"/>	<input checked="" type="radio"/>
Assistant's module with 4 holders, with capacitive keypad, mounted on single arm	<input checked="" type="radio"/>	<input checked="" type="radio"/>	<input checked="" type="radio"/>	<input checked="" type="radio"/>
Assistant's module with 4 holders and capacitive keypad, mounted on double arm	<input type="radio"/>	<input type="radio"/>	<input type="radio"/>	<input type="radio"/>
Assistant's module with 5 holders and capacitive keypad, mounted on single arm	<input type="radio"/>	<input type="radio"/>	<input type="radio"/>	<input type="radio"/>
Assistant's module with 5 holders and capacitive keypad, mounted on double arm	<input type="radio"/>	<input type="radio"/>	<input type="radio"/>	<input type="radio"/>
Tray holder table on assistant's module	<input type="radio"/>	<input type="radio"/>	<input type="radio"/>	<input type="radio"/>
<b>OPERATING LAMP</b>				
Venus E LED Lamp	<input checked="" type="radio"/>	<input checked="" type="radio"/>	<input checked="" type="radio"/>	<input checked="" type="radio"/>
Venus Plus lamp	<input type="radio"/>	<input type="radio"/>	<input type="radio"/>	<input type="radio"/>
Venus LED lamp	<input type="radio"/>	<input type="radio"/>	<input type="radio"/>	<input type="radio"/>
Venus LED MCT lamp	<input type="radio"/>	<input type="radio"/>	<input type="radio"/>	<input type="radio"/>
<b>UNIT BODY</b>				
Removable and position-adjustable cuspidor bowl	<input checked="" type="radio"/>	<input checked="" type="radio"/>	<input checked="" type="radio"/>	<input checked="" type="radio"/>
Cup filling sensor	<input type="radio"/>	<input type="radio"/>	<input type="radio"/>	<input type="radio"/>
Water-to-cup heater	<input type="radio"/>	<input type="radio"/>	<input type="radio"/>	<input type="radio"/>
Instrument spray heater	<input type="radio"/>	<input type="radio"/>	<input type="radio"/>	<input type="radio"/>
Independent cannulae selection	<input type="radio"/>	<input type="radio"/>	<input type="radio"/>	<input type="radio"/>
Quick coupling for air/water supply for external device	<input type="radio"/>	<input type="radio"/>	<input type="radio"/>	<input type="radio"/>
Multimedia cables and PC connections	<input type="radio"/>	<input type="radio"/>	<input type="radio"/>	<input type="radio"/>
Tray holder table in place of bowl	<input type="radio"/>	<input type="radio"/>	<input type="radio"/>	<input type="radio"/>
<b>PATIENT CHAIR</b>				
Pneumatic release headrest with 3-axis movement	<input type="radio"/>	<input type="radio"/>	<input type="radio"/>	<input type="radio"/>
Double-jointed headrest with 2-axis movement	<input checked="" type="radio"/>	<input checked="" type="radio"/>	<input checked="" type="radio"/>	<input checked="" type="radio"/>
Lateral slide foot control complete with joystick	<input checked="" type="radio"/>	<input checked="" type="radio"/>	<input checked="" type="radio"/>	<input checked="" type="radio"/>
Lateral slide foot control complete with joystick - wireless	<input type="radio"/>	<input type="radio"/>	<input type="radio"/>	<input type="radio"/>
Pressure-operated foot control with Joystick and spray on/off kit	<input type="radio"/>	<input type="radio"/>	<input type="radio"/>	<input type="radio"/>
Pressure-operated foot control with Joystick and spray on/off kit - wireless	<input type="radio"/>	<input type="radio"/>	<input type="radio"/>	<input type="radio"/>
Foot control, Power Pedal type	<input type="radio"/>	<input type="radio"/>	<input type="radio"/>	<input type="radio"/>
Foot control, Power Pedal type - wireless	<input type="radio"/>	<input type="radio"/>	<input type="radio"/>	<input type="radio"/>
Left armrest	<input type="radio"/>	<input type="radio"/>	<input type="radio"/>	<input type="radio"/>
Right armrest	<input type="radio"/>	<input type="radio"/>	<input type="radio"/>	<input type="radio"/>

● = supplied as standard ○ = optional - = not available