



# swifi®

TRANSFER CHAIR



# ICONA

## COMFORT

- > Built-in clothes basket
- > Patient file holder
- > Push bar full width
- > Rear casters ø 300 mm
- > Various accessories



## ACCESSIBILITY

- > Lifiable armrests
- > Open -sided seat
- > Retractable foot rest with bilateral control
- > Exists in 2 widths (47 and 60 cm)



## SAFETY

- > 200 kg patient weight capacity
- > Rear casters diameter 300 mm with centralised brake
- > Front shock absorbers



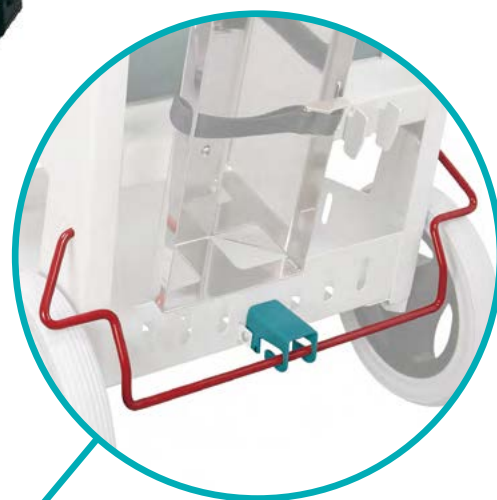
## HYGIENE

- > Seamless seat- and back rests
- > Mono block steel frame

Capacity



200 kg



## STANDARD FEATURES

- Upholstery widths 47 or 60 cm
- Electrogalvanized steel frame structure with white epoxy finish
- Epoxy finished push bar
- Backrest and seat in class M1 flame retardant seamless covering
- Patient file holder
- Clothes basket
- Adjustable arm rests with stopper
- Retractable footrest with bilateral control
- Front shock absorbers
- Rear castors ø 300 mm with centralized brakes
- Front castors ø 100 mm – ball bearing
- 58 cm seat height
- Patient weight capacity: 200 kg (tested at a static weight of 600 kg)



**30130-02** Width 47 cm

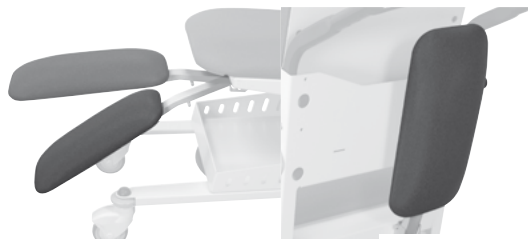
**30130-02L** Width 60 cm

## ACCESSORIES



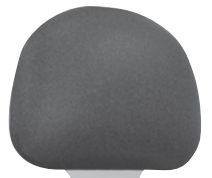
**30149-01L**

Legrest with fitting  
(for 30130-02L)



**30149-01**

Legrest with fixings  
(for 30130-02)



**30141-01**

Head rest



**30140-01**

Urine bag support



**30142-01 + 30148-20**

Support tray



**30148-01 + 30148-20**

2 hook IV pole



**2985-01 + 30148-20**

2 hook auto-locking IV pole



**30148-10**

Swing IV®  
Rotating IV pole



**30143-01**

Safety belt



**30145-02**

Oxygen bottle holder  
(ø maxi 160 x h 620)



**SP-SWIFI**

Lettering (x 2)



**30148-20**

Clamp ø 16 mm



**30147-01**

Coin holder with wall fixings (1 €)

**30147-10**

Special chair lock with  
10 tokens with wall fixings



**30147-20**

Set of 10 tokens  
(for 30147-10)

**30130-02**

NET WEIGHT: 37 KG

GROSS WEIGHT: 42 KG  
(+ PALLET = + 15 KG)

PACKAGE VOLUME: 0.90 M<sup>3</sup>  
(+ PALLET = 1 M)

**30130-02L**

NET WEIGHT: 44 KG

GROSS WEIGHT: 50 KG  
(+ PALLET = + 15 KG)

PACKAGE VOLUME: 1,22 M<sup>3</sup>  
(+ PALLETTE/PALLET = 1,350 M<sup>3</sup>)

CHOICE OF M1 ANTIBACTERIAL  
FIRE RETARDANT UPHOLSTERY

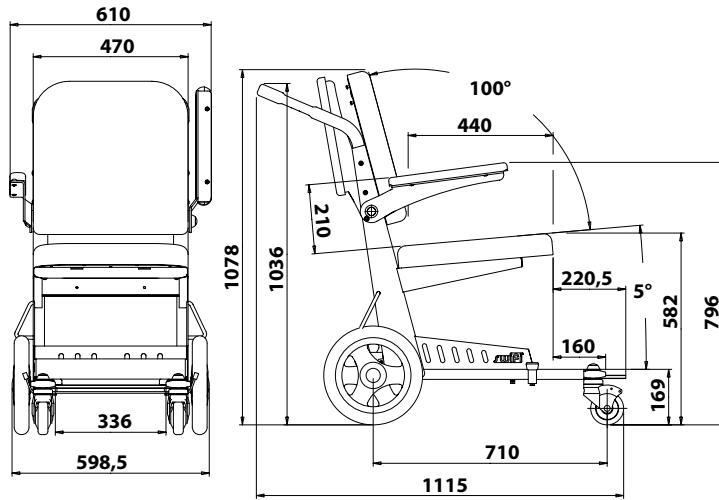
CLASSIC RANGE

- CA - TOMATE  
CA - TOMATO
- CB - FUCHSIA  
CB - FUCHSIA
- CC - PRUNE  
CC - PLUM
- CD - CITRON  
CD - LEMON
- CE - PAON  
CE - PEACOCK
- CF - SAPHIR  
CF - SAPHYR
- CG - BLEU MINUIT  
CG - MIDNIGHT BLUE
- CH - GLACIER  
CH - GLACIER
- CI - OBSCURE  
CI - DARK
- 57 - ANTISTATIQUE  
57 - ANTISTATIC
- CJ - GRIS  
CJ - GREY
- CK - PLATINE  
CK - PLATINUM

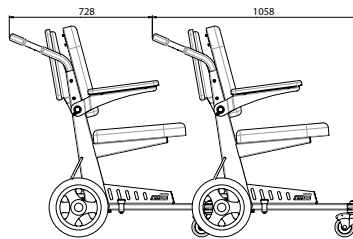
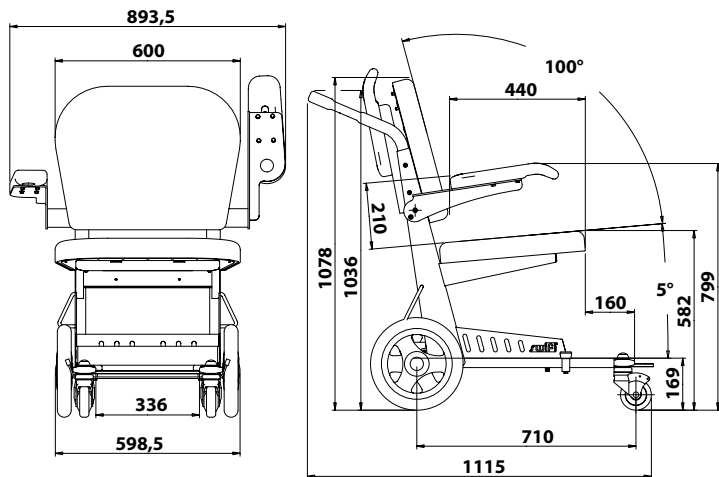
ELEGANT RANGE\*

- EA - VERT PROFOND  
EA - DEEP GREEN
- EB - VÉGÉTAL  
EB - VEGETAL
- EC - ORAGE  
EC - STORM
- ED - BLEU ARGENTÉ  
ED - SILVER BLUE
- EE - PAPRIKA  
EE - PAPRIKA
- EF - CRÉPUSCULE  
EF - TWILIGHT
- EG - CAMEL  
EG - CAMEL
- EH - LIÈGE  
EH - CORK

**30130-02**



**30130-02L**



FE-13/22

\* The Elegance range is subject to the application of a price supplement. Please refer to the price list.



PROMOTAL.NZ  
PROMOTAL.COM.AU